



## Free Flow GAS Monitor Arms

Image shows GAS 1



### Single and Double Gas Monitor Arms

Gas Spring for fluid movement  
Dual USB3 Ports  
Both Clamp and Grommet fixing  
Supports up to 30" 9kg Monitors

Full Rotation, 360° at any position  
Clean Aluminium Finish  
Cable Management System  
Both VESA 75mm & 100mm

PowerData Technologies GAS monitor arms combine seamless fluid movement in use with a modern ergonomic aluminium design, clip on cable management tidies any loose cables allowing a clean uncluttered desktop.

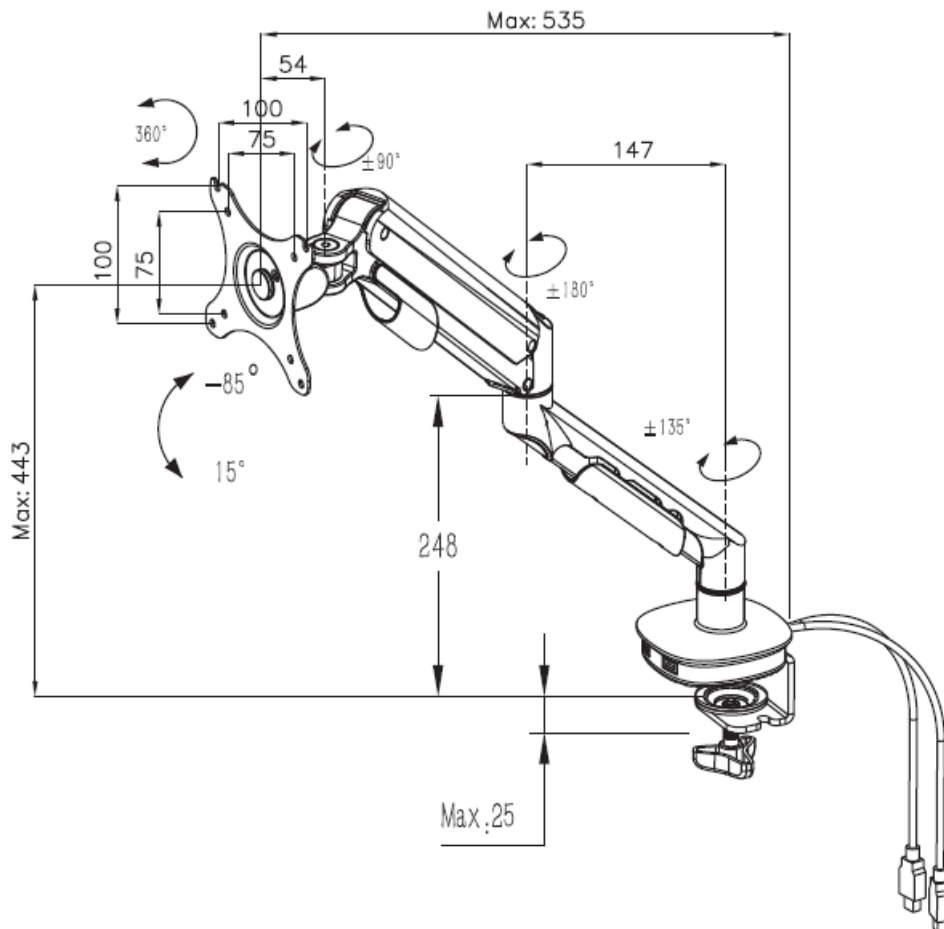
Uniquely, both single and double GAS monitor arms have 2x 1.5-metre USB3 input/output cables in the base which can be plugged into the PC to download or charge from, they're positioned when installing the arms, so can be left out if not needed.

Despite the modern compact design, the GAS monitor arms could be considered heavy-duty products, with a 30" screen size, 9kg (19.8lb) capacity it's far more than is generally needed for standard office use.

Each product comes with both through desk and clamp fixing, and every movement is adjustable to make it looser or stiffer to the user's comfort.



## Product Dimensions





## Product Dimensions

