

Product Datasheet

PD MICRO UNITS



Product Description

The PD Micro is an in-desk power grommet offering multiple options for providing power, data and multimedia to the desktop. The unit fits into a standard 60mm grommet hole, and is a stylish addition to the workplace

- Available in black or white
- Chrome ring finish available
- UK 5A fused socket, USB chargers, or keystone aperture options
- 3 pole connector input/output, allowing the unit to be daisy-chained
- Multiple multimedia options available for the keystone units
- Units use standard Start & Inter leads

Standard Products

PD Micro units

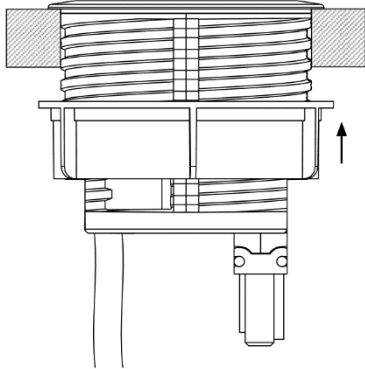
Part Code	Description	Dimensions
PD Micro U/B	Black PD Micro, with single UK 5A socket	60mm circular cut-out
PD Micro A/B	Black PD Micro, with USB A+C charger	60mm circular cut-out
PD Micro C/B	Black PD Micro, with dual USB C charger	60mm circular cut-out
PD Micro K/B	Black PD Micro, with 3 x keystone aperture	60mm circular cut-out
PD Micro U/W	White PD Micro, with single UK 5A socket	60mm circular cut-out
PD Micro A/W	White PD Micro, with USB A+C charger	60mm circular cut-out
PD Micro C/W	White PD Micro, with dual USB C charger	60mm circular cut-out
PD Micro K/W /CR	White PD Micro, with 3 x keystone aperture Chrome ring surround	60mm circular cut-out

AV options (For keystone unit)

Part Code	Description
K/B-B	Keystone blank, black
K/B-W	Keystone blank, white
K/D-B	Keystone Cat 6 coupler, black
K/D-W	Keystone Cat 6 coupler, white
K/H-B	Keystone HDMI coupler, black
K/H-W	Keystone HDMI coupler, white
K/Ua-B	Keystone USB A coupler, black
K/Ua-W	Keystone USB A coupler, white
K/Uc-B	Keystone USB C coupler, black
K/Uc-W	Keystone USB C coupler, white
K/Da	Keystone Cat 6 shielded coupler



Installation



- Remove screw wheel from the unit
- Fold power connectors to down position
- Place unit into 60mm diameter hole
- Tighten screw wheel onto unit, securing the unit to the desk

Maintenance

Fuses are 5x20mm and are user replaceable. To replace a fuse, first disconnect the unit from the mains.

To clean the unit, first disconnect from the mains, then wipe with a clean damp cloth.



Product Specification

In the box	1x PD Micro Unit
Construction	PVC extrusion, PVC sockets and fascias
Voltage	100-240Vac
Fuse rating	5A
Fuse size/type	5x20mm ceramic
Max desk thickness	35mm
Mains connector	20A GST18/3
Conformities	BS 6396
USB	USB A & USB C 18W, or 2x USB C 18W
Compliances	RoHS; WEEE, CE